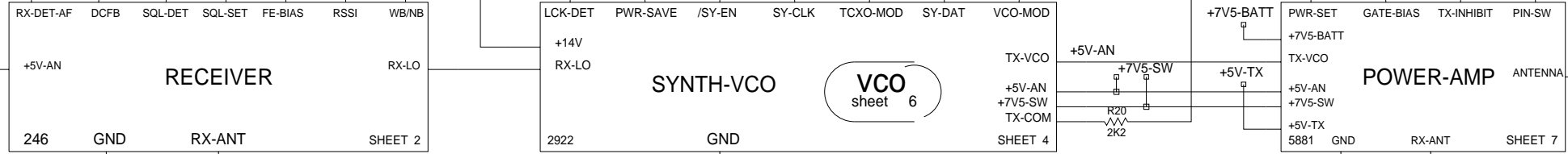


**PROCESSOR**  
252 SHEET 3  
**DSP AUDIO**

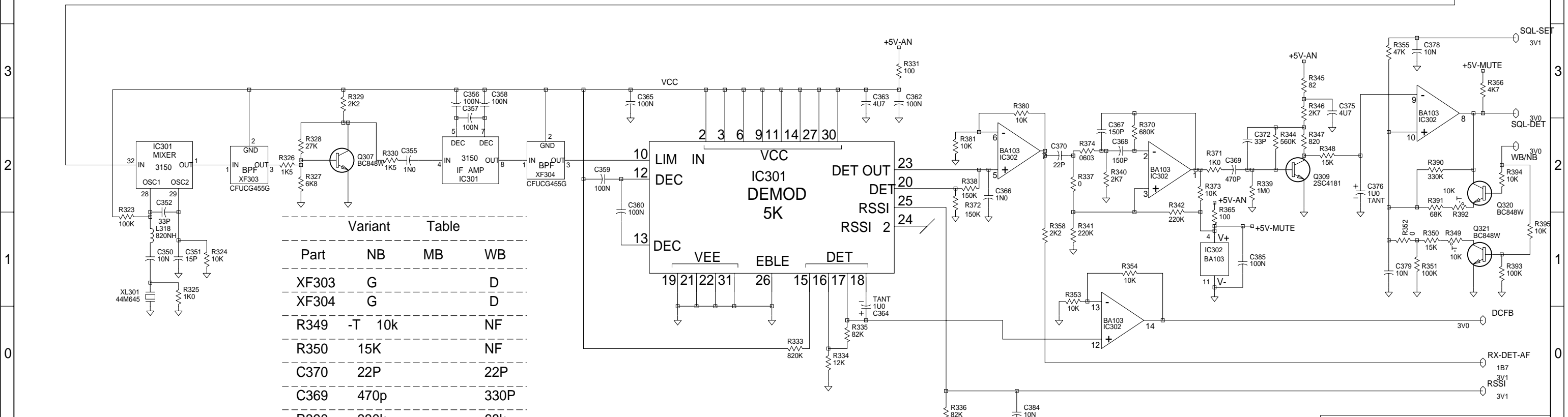
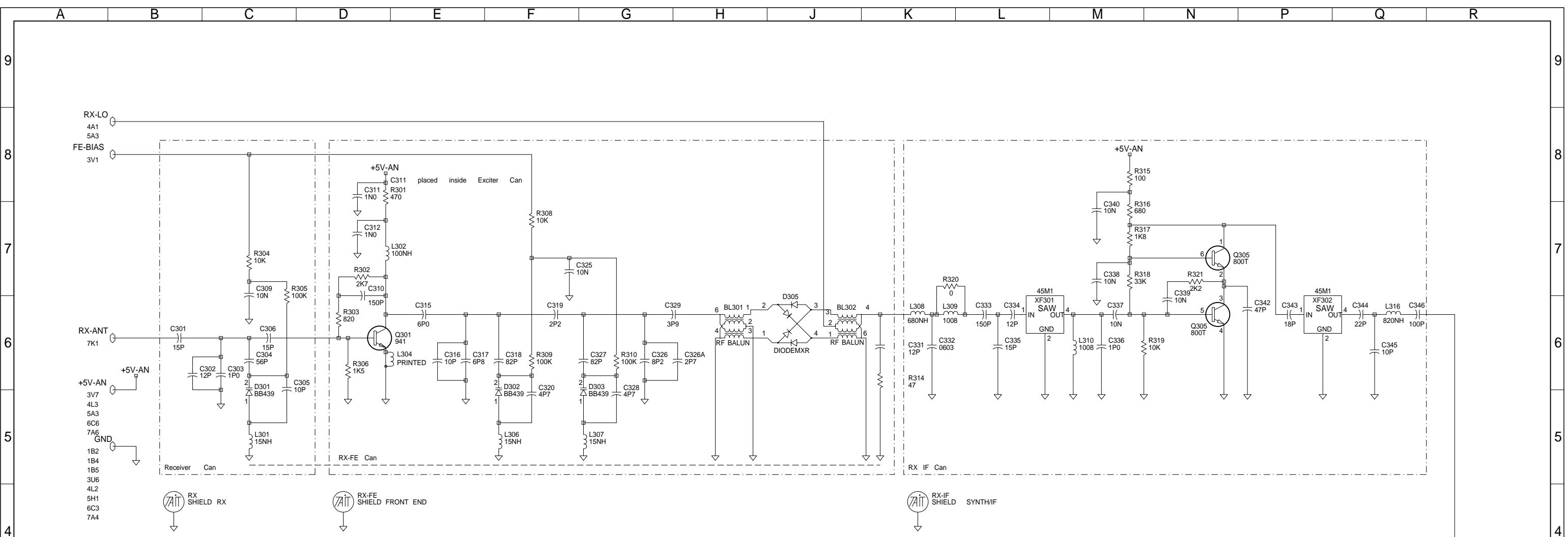


05B	DIG SHIELD. CCO# 1503-011	CM		03/02/00		
05A	CCO NO. 1503-004/005/006/007	BRD		04/11/99		
04B	CHANGES AS PER 1503/001	BRD		20/08/99		
03B	ADJUSTED T-CU AS PER PENTEX	BRD		03-06-99		
03A	UPDATE ALC AND AFC	BRD		17-05-99		
02A	SEE NOTES FILE FOR CHANGES	BRD		10/02/99		
08	UPDATED MUTE CIRCUITRY	DBH				
REV/ISS	AMENDMENTS	DRAWN	CHKD	D.O.	APVD	DATE



Sub UHF

© TAIT ELECTRONICS	
ORCA :TP010-	336-400MHZ
SYSTEM DIAGRAM	
IPN: 220-01503-05	ISSUE: B
DESIGNER: ORCA	FILE DATE: 3-Feb-00
BRD/CM	NO SHEETS: 7



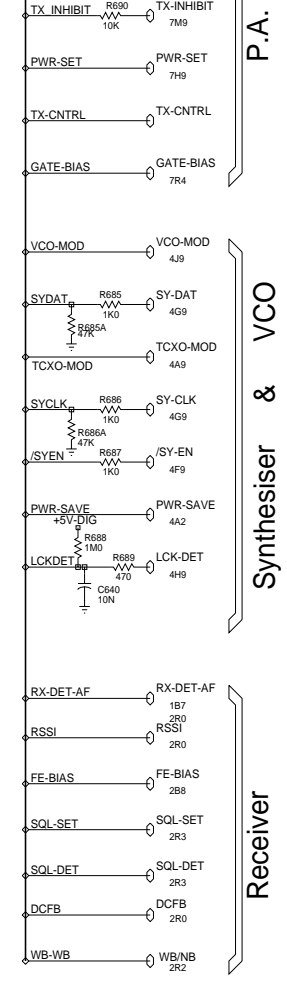
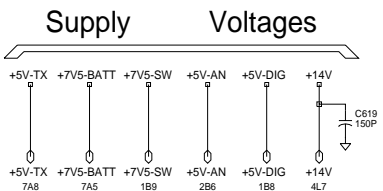
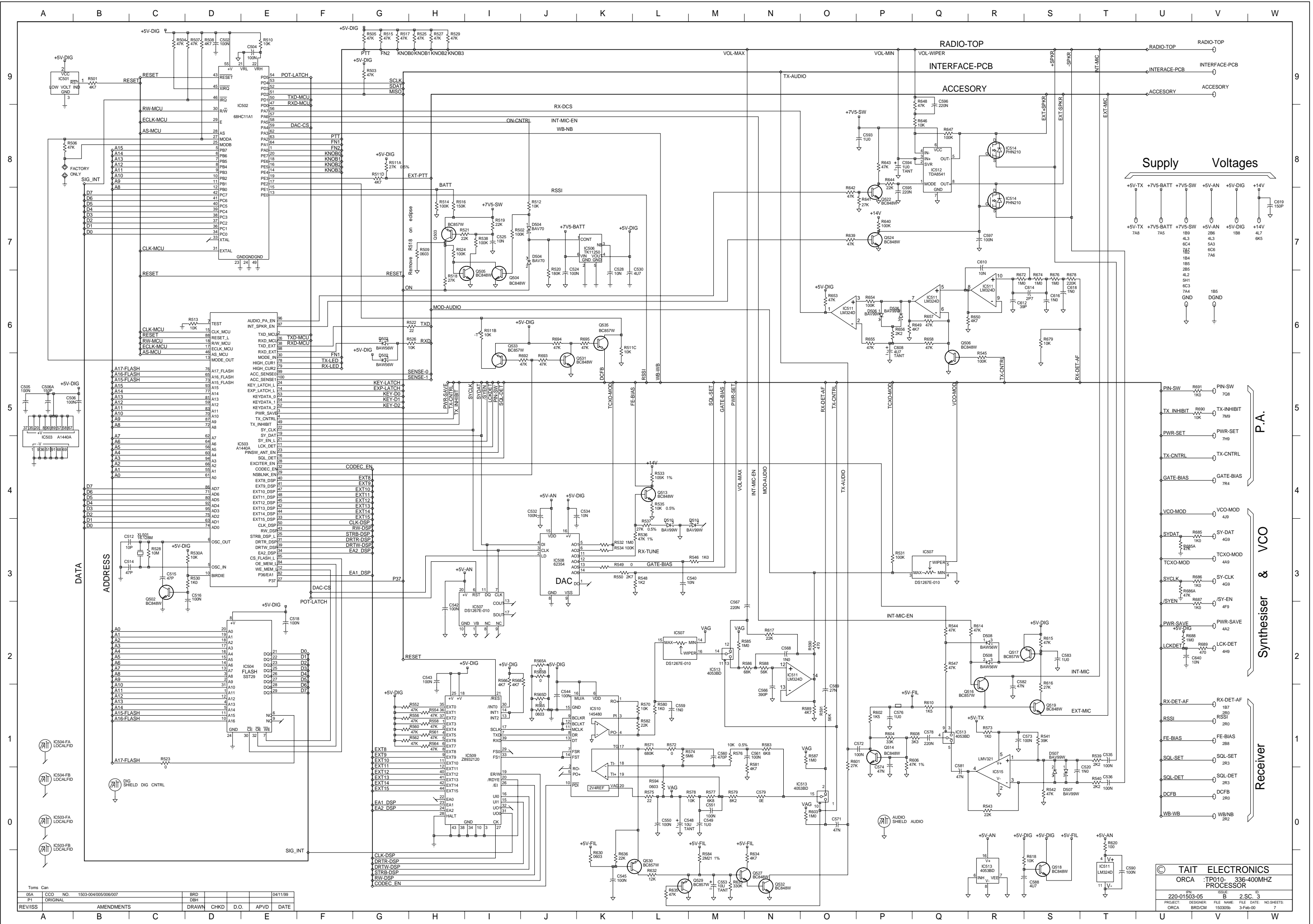
05A	CCO NO.	1503-004/005/006/007	BRD		04/11/99
REV/ISS	AMENDMENTS		DRAWN	CHKD	D.O.
			APVD	DATE	

**TAIT ELECTRONICS**

ORCA :TP010- 336-400MHZ RECEIVER

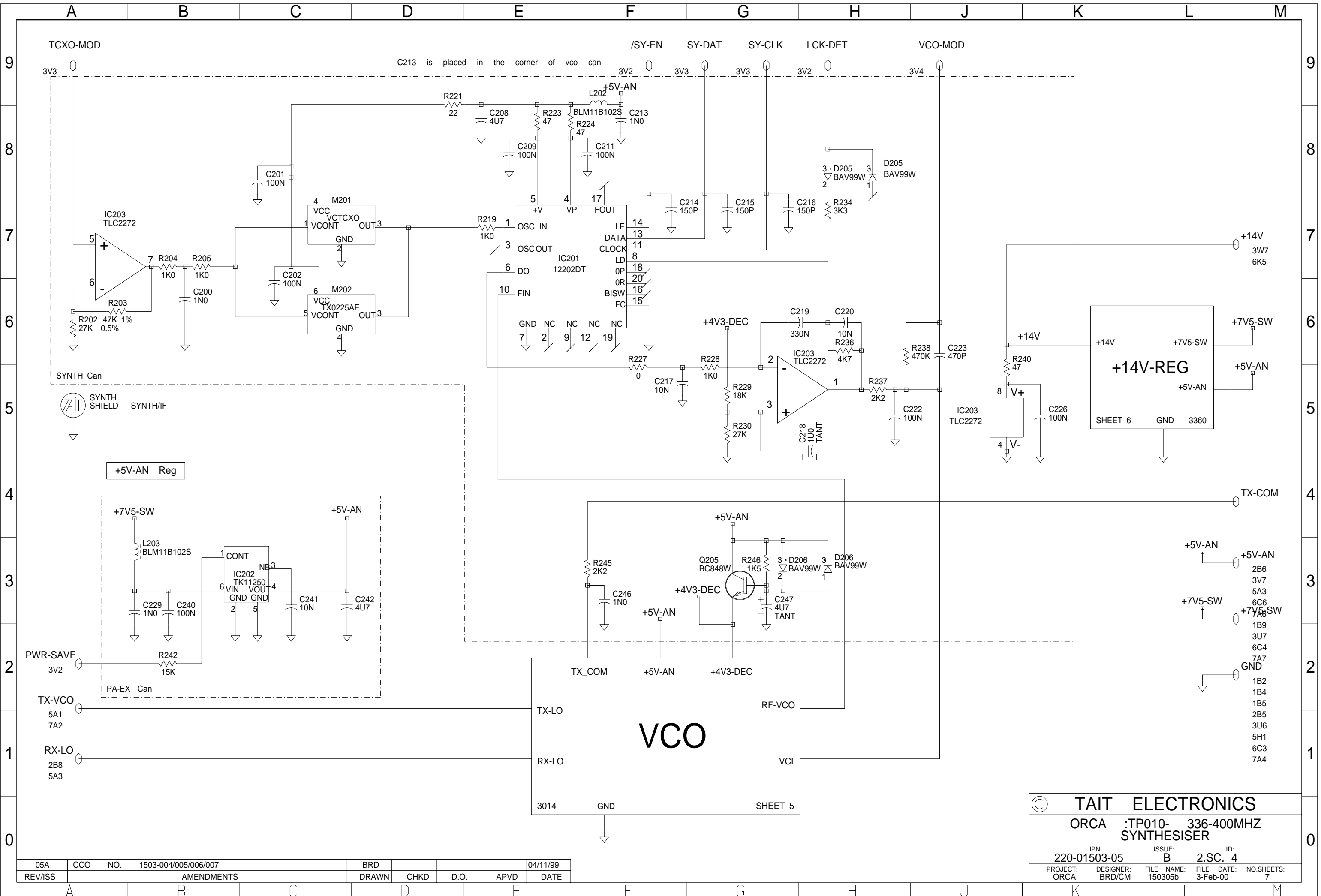
IPN: 220-01503-05 ISSUE: B ID: 2.S.C. 2

PROJECT: ORCA DESIGNER: BRD/CM FILE NAME: 150305b DATE: 3-Feb-00 NO.SHEETS: 7



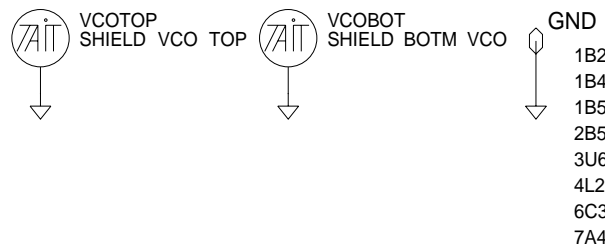
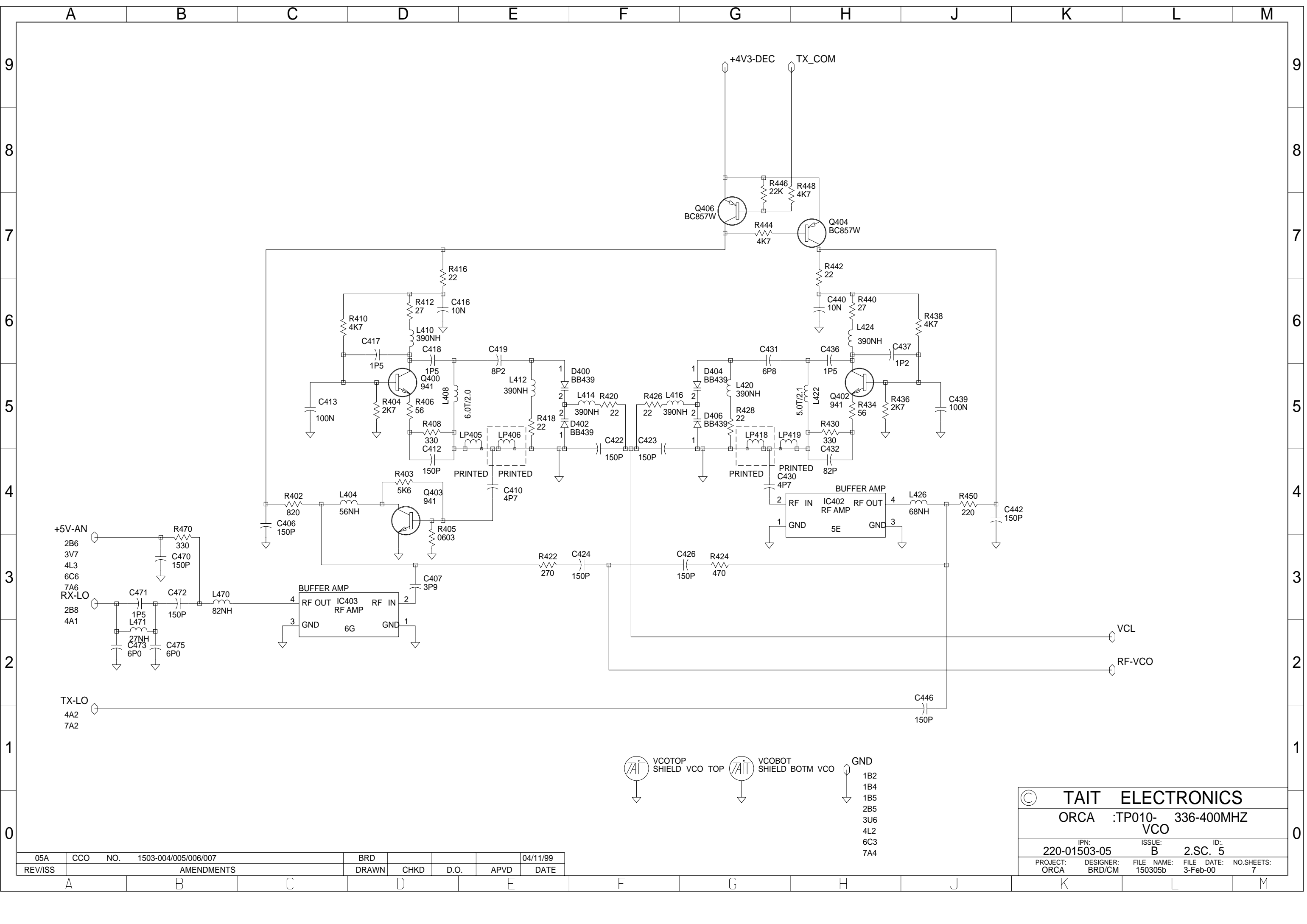
05A	CCO	NO.	1503-004005/006/007	BRD		04/11/99
P1	ORIGINAL			DRN		
REV/ISS		AMENDMENTS		DRAWN	CHKD	D.O.
				APVD		DATE

© TAIT ELECTRONICS			
ORCA TP010-336-400MHZ PROCESSOR			
220-01503-05	B	2	SC 3
PROJECT	DESIGNER	FILE NAME	FILE DATE
ORCA	BRD/CN	150305B	3-Feb-00
			NO SHEETS 7



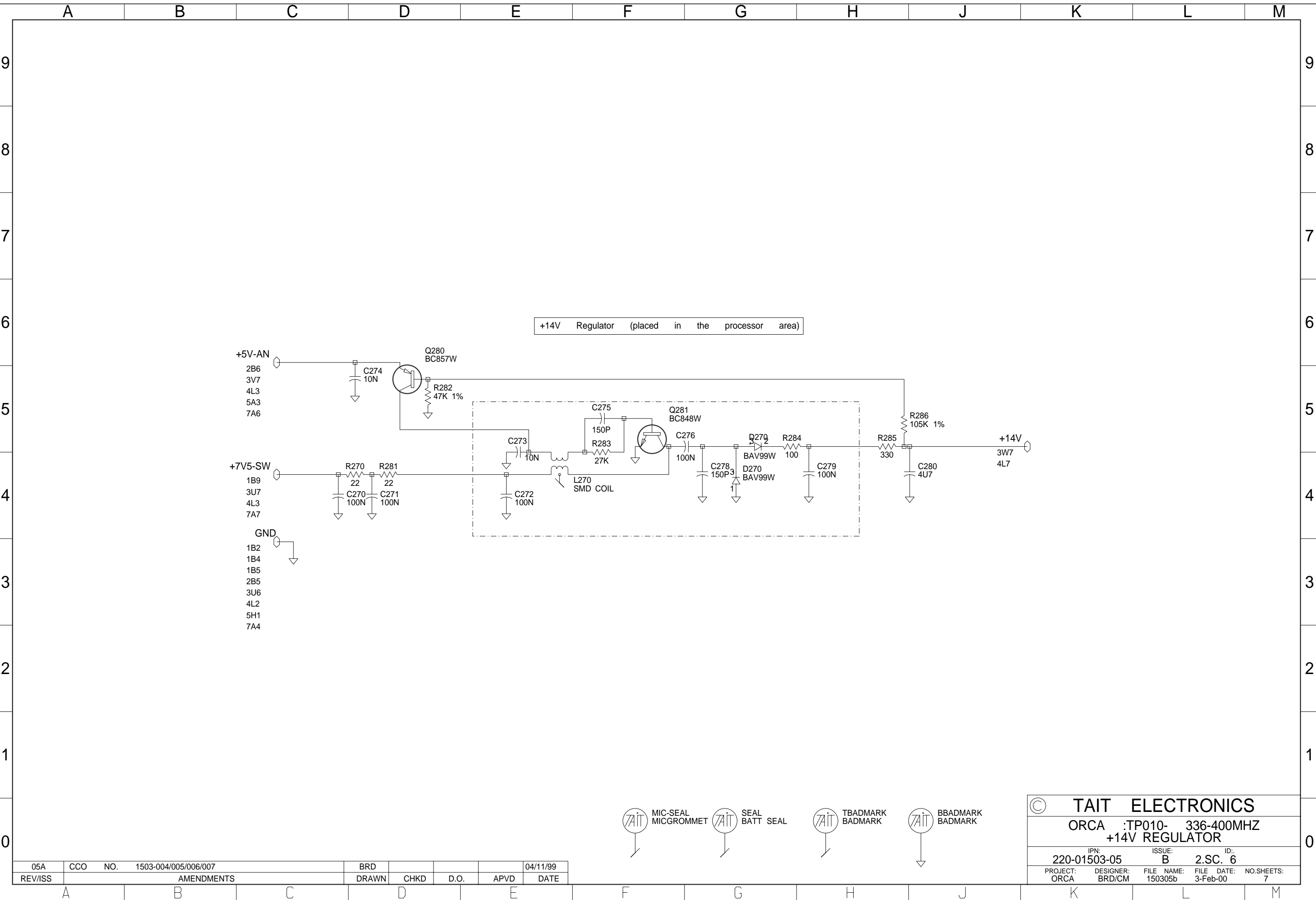
05A	CCO	NO.	1503-004/005/006/007	BRD			04/11/99
REV/ISS	AMENDMENTS			DRAWN	CHKD	D.O.	APVD DATE

© TAIT ELECTRONICS				
ORCA :TP010- 336-400MHZ SYNTHESISER				
IPN:	ISSUE:	ID:		
220-01503-05	B	2.SC. 4		
PROJECT:	DESIGNER:	FILE NAME:	FILE DATE:	NO.SHEETS:
ORCA	BRD/CM	150305b	3-Feb-00	7

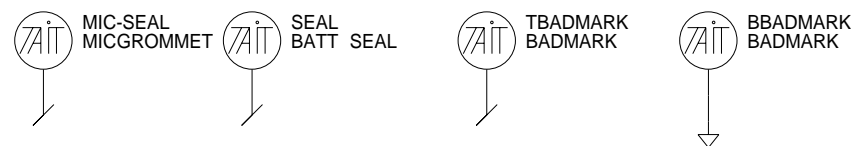
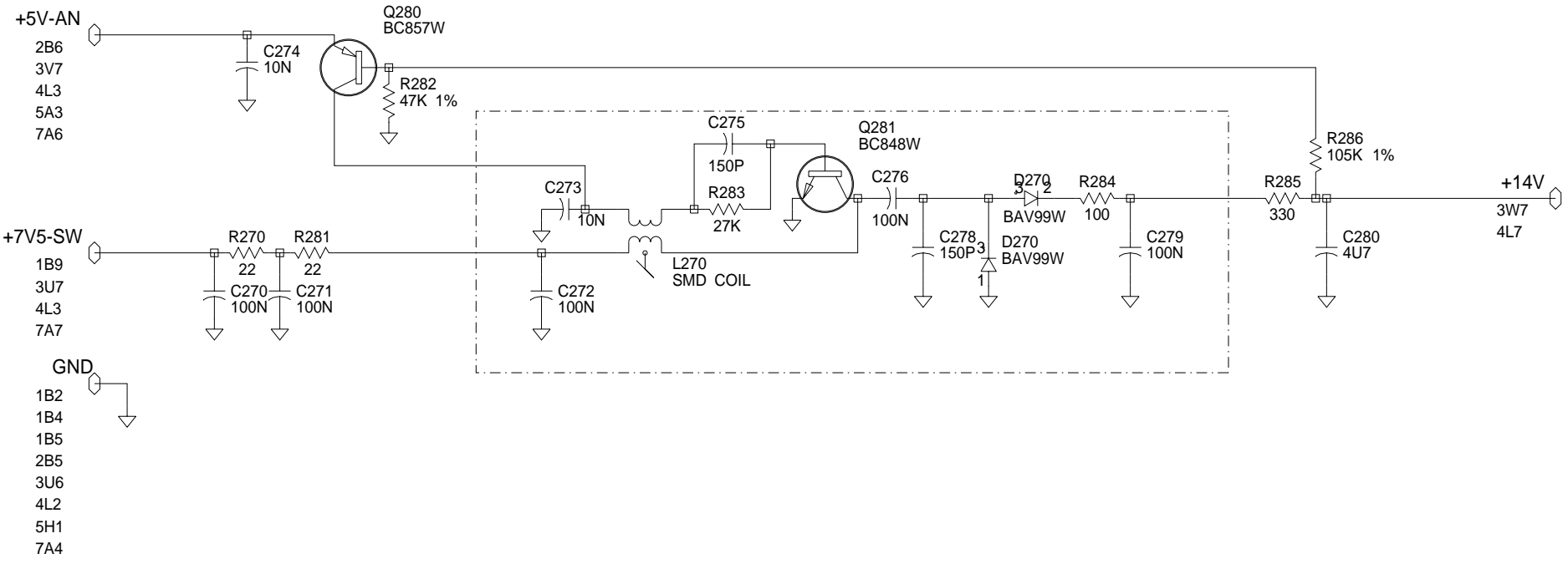


© TAIT ELECTRONICS	
ORCA :TP010-	336-400MHZ
VCO	
IPN: 220-01503-05	ISSUE: B
ID: 2.SC. 5	
PROJECT: ORCA	DESIGNER: BRD/CM
FILE NAME: 150305b	FILE DATE: 3-Feb-00
NO. SHEETS: 7	

05A	CCO	NO. 1503-004/005/006/007	BRD				04/11/99
REV/ISS	AMENDMENTS		DRAWN	CHKD	D.O.	APVD	DATE

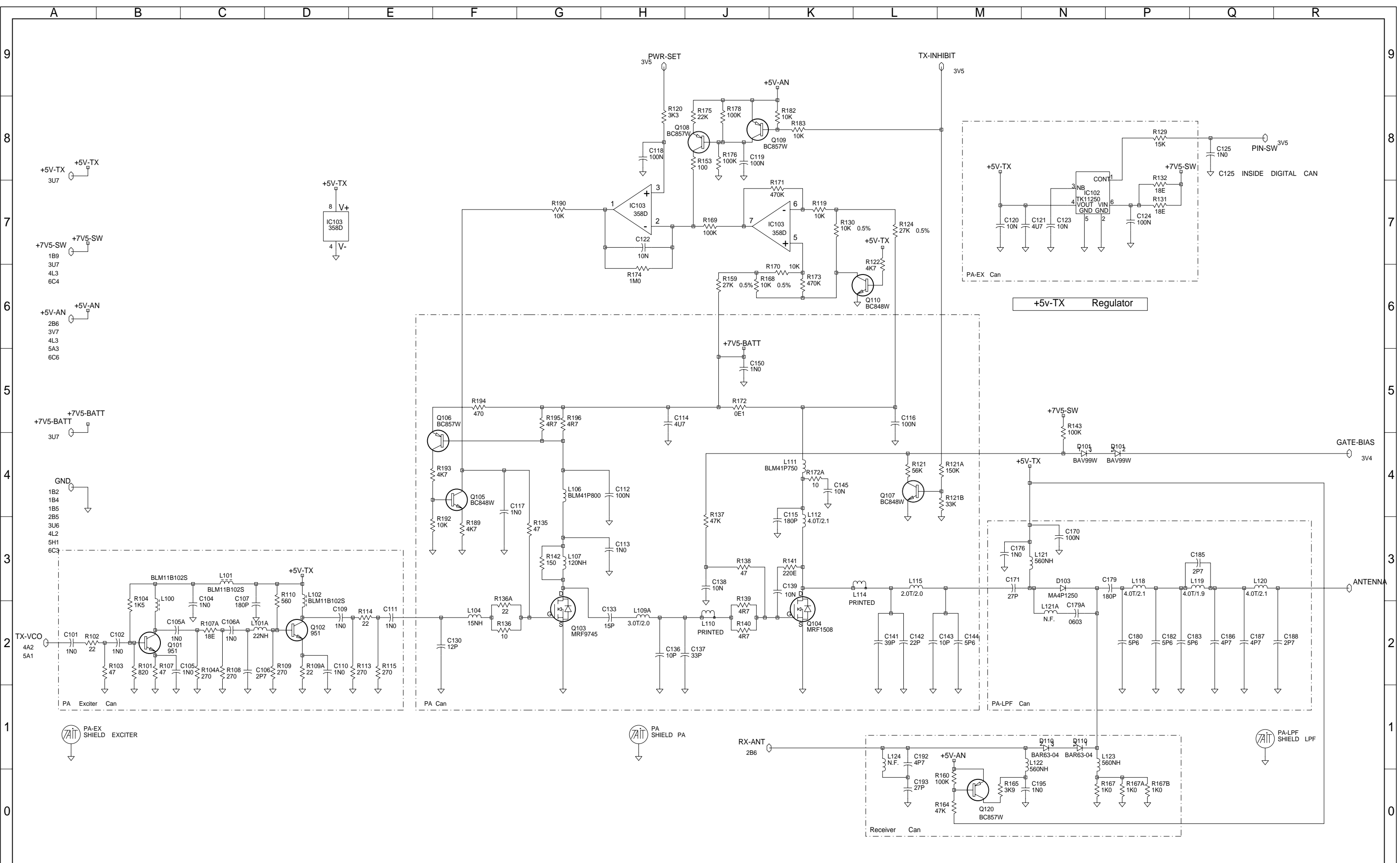


+14V Regulator (placed in the processor area)



© TAIT ELECTRONICS	
ORCA :TP010- 336-400MHZ +14V REGULATOR	
IPN: 220-01503-05	ISSUE: B
ID: 2.SC. 6	
PROJECT: ORCA	DESIGNER: BRD/CM
FILE NAME: 150305b	FILE DATE: 3-Feb-00
NO.SHEETS: 7	

05A	CCO	NO. 1503-004/005/006/007	BRD			04/11/99
REV/ISS	AMENDMENTS		DRAWN	CHKD	D.O.	APVD DATE



05A	CCO	NO.	1503-004/005/006/007	BRD				04/11/99
04A	CHANGES AS PER	1503/001		BRD	CK	SP	GR	13/08/99
REV/ISS	AMENDMENTS			DRAWN	CHKD	D.O.	APVD	DATE

© TAIT ELECTRONICS  
 ORCA :TP010- 336-400MHZ  
 LOWCOST T3010

IPN: 220-01503-05    ISSUE: B    ID: 2.S.C. 7

PROJECT: ORCA    DESIGNER: BRD/CM    FILE NAME: 150305b    FILE DATE: 3-Feb-00    NO.SHEETS: 7